



OWNERS MANUAL

Congratulations on the purchase of your shower tray!

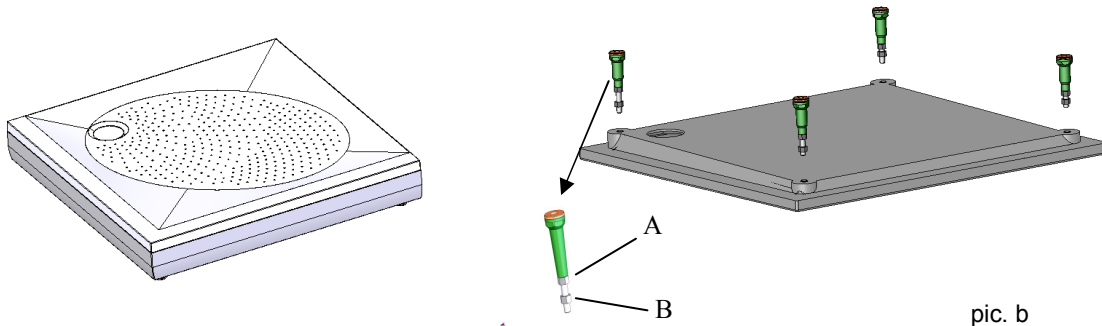
ART

Please read and follow all the instructions contained in this Owners Manual before installing your shower tray. In addition, you should refer to these instructions during the life of your shower tray.

Instruction for shower tray installation

Only a qualified serviceman should perform the installation of your shower tray.

Upon receipt, immediately inspect the shower tray to make sure the unit has been shipped as ordered and has arrived undamaged. If a problem is discovered, call your PAA dealer immediately. Handling damages are not covered under warranty.



pic. b

Preparation of area

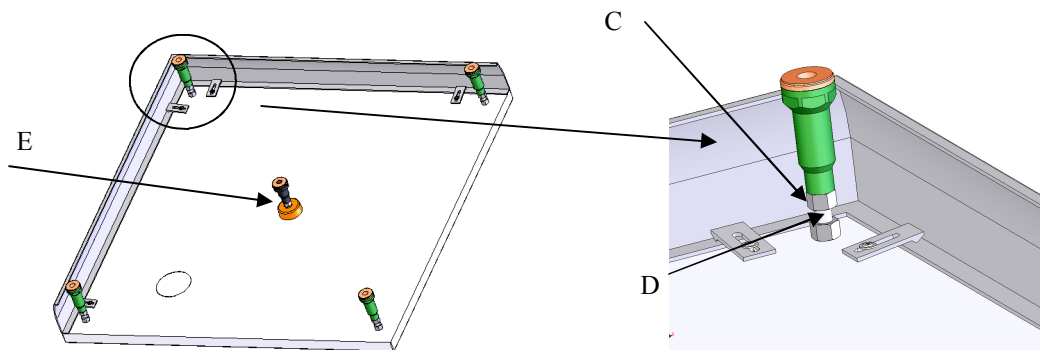
As the front panel of the tray must be freely moved either during the installation or exploitation, choose the right area in which to install the unit.

Prepare the floor and walls before installation works. The corner in which the shower tray will be installed, as well as the walls must be in straight angle against to floor.

The place under the shower tray must be in the same level as the floor.

All drain connections should fit in between shower tray and its legs (see the drawing).

The centre of drain is pointed in the drawing. Before assembling connections check the inlet of drainage (\varnothing 50 mm); it must be either in the same level or maximum 50 mm from the floor and not closer within a radius of 200 mm from the centre of tray's drain outlet (see the drawing).



pic. c

Installation of shower tray

When place for tray is prepared, water and drainage assembled, shower tray is ready for installation.

Screw the feet as it is shown in the picture b. **Attention! Do not screw them over.** Otherwise shower tray could become deformed. Screw the tread A approximately 10 mm and then fix with nut B.

Stick the fifth feet E with both side adhesive tape.

The distance between front panel's lower edge and the floor has to be less than 20 mm. Assure that tray is based on all feet to avoid the tray's swinging.

Adjust the height of the tray using unit feet (drawing c); loosen the nut C, adjust the right height of the feet D. Fix the feet D and fasten the nut C.

Instruction for shower tray using

Clean the tray after using with soft cloth, in case of necessity use sanitary cleaning liquid (such as Cillit, Ajax).
Avoid abrasive, acid and alkaline cleaners!

Avoid the contact with hot objects (such as cigarettes, hairdryer, all kind of candles and others with temperature more than +85°C) and open flame with the tray's surface.

Avoid durable contact of the following substances with the tray's surface:
Silicone oils, spirits (over 30%), all-purpose adhesives, sprayers, inapplicable sanitary cleaners and disinfectants, hydrogen peroxide, pesticides dissolved in water, derv, acrylic paints and varnishes, acetic acid up to 25%, other active chemical substances.

Exclude the tray's surface contact with the following substances:
Sealing compounds on acrylic and polyurethane base, camphor, nail varnish and remover of nail varnish, foam plastic, PVC and rubber in plastic condition, concentrated methyl alcohol, stain removers, iodine tincture, gasoline, solvents, nitrocellulose varnish, concentrated acetic acid, acetone, liquid ammonia, chlorine, ether high acids.

For more detailed information contact manufacturer PAA.

Avoid mechanical damages of unit – hard impacts and scratches.

In case water mixer or shower head is leaking or damaged, fix or change it immediately.

Warranties

Warranty for PAA shower tray's surface is 2 years.

Warranty requirements

The warranty shall not apply to:

- damage caused by incorrect transportation or inadequate packing during shipment;
- damage caused by failure to adhere to any of the operating, installation or maintenance instructions stated in our manual;
- any incorrect operating procedures in shower tray, breakage or damages caused by the fault, carelessness, misuse, improper maintenance, abuse or modification of the product, as well as any chemical or natural corrosion, fire or any other causality;
- damages caused by using in conditions which the shower trays is not provided for.

PAA reserves the right to discontinue or change models, colours and design specifications without prior notice and without incurring of any obligations.